

Associated Consulting Services (ACS)
 Roseville, MN 55113
 -- TRAFFIC DATA --

MN-51 at Lincoln Ave_2021
 Data Prepared By: ACS
 TURNING MOVEMENT COUNT

File Name : MN-51 at Lincoln Ave_2021
 Site Code :
 Start Date : 10/19/2021
 Page No : 1

Groups Printed- Cars - Trucks

Start Time	MN-51 Southbound				Lincoln Ave Westbound				MN-51 Northbound				Eastbound				Int. Total
	Left	Thru	Right	Peds	Left	Thru	Right	Peds	Left	Thru	Right	Peds	Left	Thru	Right	Peds	
06:00	1	32	0	0	0	0	0	2	0	46	1	1	0	0	0	0	83
06:15	1	46	0	0	0	0	0	1	0	58	0	2	0	0	0	0	108
06:30	0	61	0	0	0	0	0	0	0	78	0	1	0	0	0	0	140
06:45	3	74	0	0	0	0	2	1	0	82	1	2	0	0	0	0	165
Total	5	213	0	0	0	0	2	4	0	264	2	6	0	0	0	0	496
07:00	4	98	0	0	0	0	4	2	0	94	0	1	0	0	0	0	203
07:15	3	114	0	0	1	0	4	1	0	105	0	2	0	0	0	0	230
07:30	4	140	0	0	0	0	4	1	0	125	3	0	0	0	0	0	277
07:45	5	174	0	0	0	0	7	5	0	152	0	11	0	0	0	0	354
Total	16	526	0	0	1	0	19	9	0	476	3	14	0	0	0	0	1064
08:00	2	141	0	0	0	0	5	4	0	170	0	5	0	0	0	0	327
08:15	3	184	0	0	0	0	6	4	0	175	0	3	0	0	0	0	375
08:30	3	150	0	0	0	0	7	5	0	134	0	3	0	0	0	0	302
08:45	5	141	0	0	0	0	6	2	0	127	1	4	0	0	0	0	286
Total	13	616	0	0	0	0	24	15	0	606	1	15	0	0	0	0	1290
09:00	7	117	0	0	1	0	4	3	0	115	0	5	0	0	0	0	252
09:15	3	122	0	1	0	0	5	1	0	146	0	5	0	0	0	0	283
09:30	7	104	0	0	1	0	4	5	0	118	0	18	0	0	0	0	257
09:45	3	132	0	0	0	0	10	8	0	97	3	9	0	0	0	0	262
Total	20	475	0	1	2	0	23	17	0	476	3	37	0	0	0	0	1054
10:00	4	124	0	0	0	0	4	8	0	120	0	7	0	0	0	0	267
10:15	4	124	0	0	1	0	8	3	0	115	0	4	0	0	0	0	259
10:30	6	89	0	0	0	0	5	8	0	149	0	5	0	0	0	0	262
10:45	3	128	0	0	0	0	8	2	0	131	2	5	0	0	0	0	279
Total	17	465	0	0	1	0	25	21	0	515	2	21	0	0	0	0	1067
11:00	6	124	0	0	0	0	13	2	0	111	0	7	0	0	0	0	263
11:15	4	157	0	0	0	0	11	5	0	116	0	11	0	0	0	0	304
11:30	8	130	0	0	0	0	10	6	0	163	1	14	0	0	0	0	332
11:45	3	155	0	0	0	0	8	3	0	137	0	3	0	0	0	0	309
Total	21	566	0	0	0	0	42	16	0	527	1	35	0	0	0	0	1208
12:00	5	128	0	0	0	0	6	7	0	133	0	11	0	0	0	0	290
12:15	6	136	0	0	1	0	15	4	0	115	2	5	0	0	0	0	284
12:30	1	155	0	0	0	0	6	8	0	130	0	10	0	0	0	0	310
12:45	2	152	0	0	0	0	4	6	0	120	0	7	0	0	0	0	291
Total	14	571	0	0	1	0	31	25	0	498	2	33	0	0	0	0	1175
13:00	6	123	0	0	0	0	10	8	0	117	0	14	0	0	0	0	278
13:15	4	146	0	0	1	0	8	3	0	123	1	10	0	0	0	0	296
13:30	2	147	0	0	0	0	9	12	0	106	1	13	0	0	0	0	290
13:45	3	145	0	0	0	0	5	8	0	141	1	8	0	0	0	0	311
Total	15	561	0	0	1	0	32	31	0	487	3	45	0	0	0	0	1175
14:00	5	116	0	0	1	0	2	2	0	135	0	8	0	0	0	0	269
14:15	4	179	0	1	0	0	9	10	0	123	0	5	0	0	0	0	331
14:30	7	154	0	1	0	0	9	8	0	140	1	17	0	0	0	0	337
14:45	3	192	0	0	1	0	8	5	0	136	1	10	0	0	0	0	356
Total	19	641	0	2	2	0	28	25	0	534	2	40	0	0	0	0	1293

Associated Consulting Services (ACS)
 Roseville, MN 55113
 -- TRAFFIC DATA --

MN-51 at Lincoln Ave_2021
 Data Prepared By: ACS
 TURNING MOVEMENT COUNT

File Name : MN-51 at Lincoln Ave_2021
 Site Code :
 Start Date : 10/19/2021
 Page No : 2

Groups Printed- Cars - Trucks

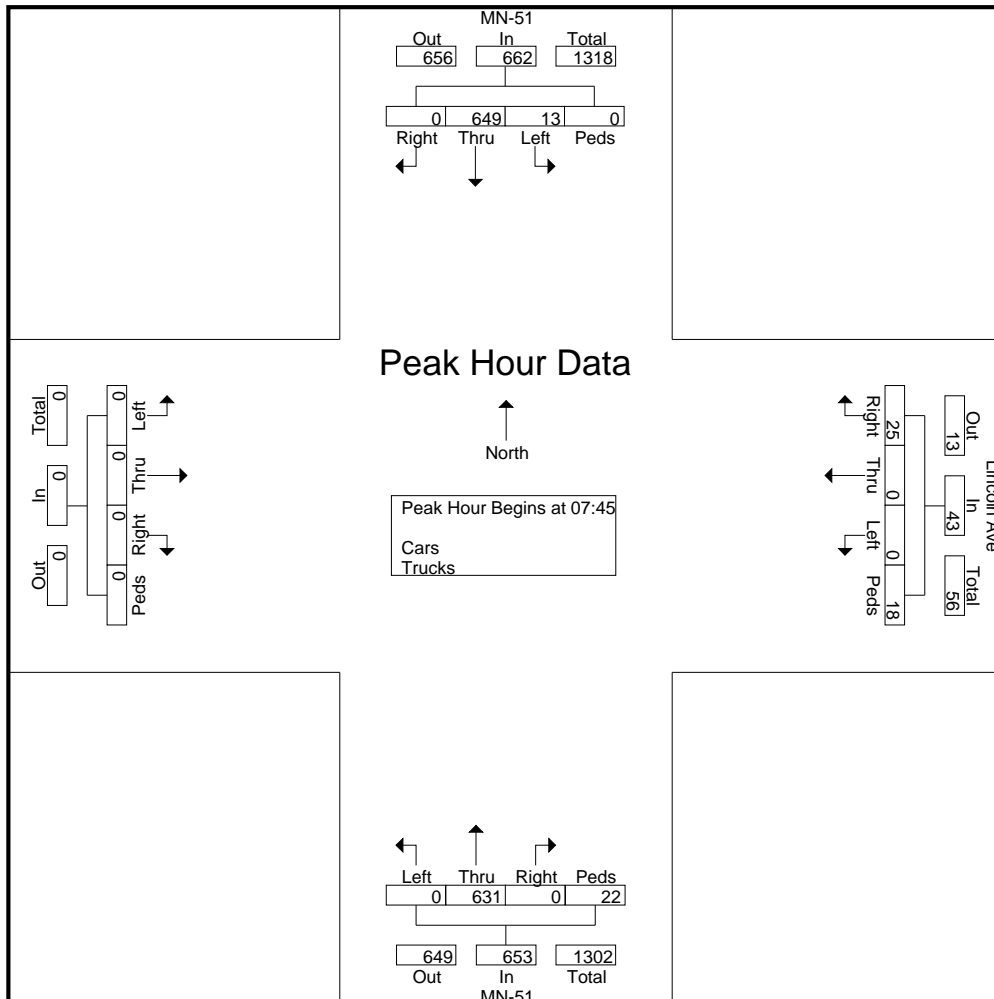
Start Time	MN-51 Southbound				Lincoln Ave Westbound				MN-51 Northbound				Eastbound				Int. Total
	Left	Thru	Right	Peds	Left	Thru	Right	Peds	Left	Thru	Right	Peds	Left	Thru	Right	Peds	
15:00	5	226	0	0	0	0	9	5	0	172	1	13	0	0	0	0	431
15:15	2	195	0	0	0	0	4	4	0	159	0	5	0	0	0	0	369
15:30	2	200	0	0	0	0	7	5	0	155	0	9	0	0	0	0	378
15:45	4	195	0	0	0	0	9	10	0	180	1	2	0	0	0	0	401
Total	13	816	0	0	0	0	29	24	0	666	2	29	0	0	0	0	1579
16:00	6	176	0	0	1	0	8	9	0	167	2	12	0	0	0	0	381
16:15	1	190	0	0	0	0	4	9	0	137	0	13	0	0	0	0	354
16:30	0	199	0	0	2	0	8	5	0	148	2	16	0	0	0	0	380
16:45	3	188	0	0	0	0	3	4	0	166	1	4	0	0	0	0	369
Total	10	753	0	0	3	0	23	27	0	618	5	45	0	0	0	0	1484
17:00	5	162	0	0	0	0	5	6	0	149	0	4	0	0	0	0	331
17:15	2	193	0	0	1	0	10	3	0	164	0	6	0	0	0	0	379
17:30	2	204	0	0	0	0	6	6	0	154	0	6	0	0	0	0	378
17:45	3	179	0	0	0	0	4	13	0	159	0	15	0	0	0	0	373
Total	12	738	0	0	1	0	25	28	0	626	0	31	0	0	0	0	1461
Grand Total	175	6941	0	3	12	0	303	242	0	6293	26	351	0	0	0	0	14346
Apprch %	2.5	97.5	0	0	2.2	0	54.4	43.4	0	94.3	0.4	5.3	0	0	0	0	
Total %	1.2	48.4	0	0	0.1	0	2.1	1.7	0	43.9	0.2	2.4	0	0	0	0	
Cars	167	6417	0	3	11	0	293	242	0	5843	25	351	0	0	0	0	13352
% Cars	95.4	92.5	0	100	91.7	0	96.7	100	0	92.8	96.2	100	0	0	0	0	93.1
Trucks	8	524	0	0	1	0	10	0	0	450	1	0	0	0	0	0	994
% Trucks	4.6	7.5	0	0	8.3	0	3.3	0	0	7.2	3.8	0	0	0	0	0	6.9

Associated Consulting Services (ACS)
 Roseville, MN 55113
 -- TRAFFIC DATA --

MN-51 at Lincoln Ave_2021
 Data Prepared By: ACS
 TURNING MOVEMENT COUNT

File Name : MN-51 at Lincoln Ave_2021
 Site Code :
 Start Date : 10/19/2021
 Page No : 3

Start Time	MN-51 Southbound					Lincoln Ave Westbound					MN-51 Northbound					Eastbound					Int. Total
	Left	Thru	Right	Peds	App. Total	Left	Thru	Right	Peds	App. Total	Left	Thru	Right	Peds	App. Total	Left	Thru	Right	Peds	App. Total	
Peak Hour Analysis From 06:00 to 11:45 - Peak 1 of 1																					
Peak Hour for Entire Intersection Begins at 07:45																					
07:45	5	174	0	0	179	0	0	7	5	12	0	152	0	11	163	0	0	0	0	0	354
08:00	2	141	0	0	143	0	0	5	4	9	0	170	0	5	175	0	0	0	0	0	327
08:15	3	184	0	0	187	0	0	6	4	10	0	175	0	3	178	0	0	0	0	0	375
08:30	3	150	0	0	153	0	0	7	5	12	0	134	0	3	137	0	0	0	0	0	302
Total Volume	13	649	0	0	662	0	0	25	18	43	0	631	0	22	653	0	0	0	0	0	1358
% App. Total	2	98	0	0		0	0	58.1	41.9		0	96.6	0	3.4		0	0	0	0		
PHF	.650	.882	.000	.000	.885	.000	.000	.893	.900	.896	.000	.901	.000	.500	.917	.000	.000	.000	.000	.000	.905



Associated Consulting Services (ACS)
 Roseville, MN 55113
 -- TRAFFIC DATA --

MN-51 at Lincoln Ave_2021
 Data Prepared By: ACS
 TURNING MOVEMENT COUNT

File Name : MN-51 at Lincoln Ave_2021
 Site Code :
 Start Date : 10/19/2021
 Page No : 4

Start Time	MN-51 Southbound					Lincoln Ave Westbound					MN-51 Northbound					Eastbound					Int. Total
	Left	Thru	Right	Peds	App. Total	Left	Thru	Right	Peds	App. Total	Left	Thru	Right	Peds	App. Total	Left	Thru	Right	Peds	App. Total	
Peak Hour Analysis From 12:00 to 17:45 - Peak 1 of 1																					
Peak Hour for Entire Intersection Begins at 15:00																					
15:00	5	226	0	0	231	0	0	9	5	14	0	172	1	13	186	0	0	0	0	0	431
15:15	2	195	0	0	197	0	0	4	4	8	0	159	0	5	164	0	0	0	0	0	369
15:30	2	200	0	0	202	0	0	7	5	12	0	155	0	9	164	0	0	0	0	0	378
15:45	4	195	0	0	199	0	0	9	10	19	0	180	1	2	183	0	0	0	0	0	401
Total Volume	13	816	0	0	829	0	0	29	24	53	0	666	2	29	697	0	0	0	0	0	1579
% App. Total	1.6	98.4	0	0		0	0	54.7	45.3		0	95.6	0.3	4.2		0	0	0	0		
PHF	.650	.903	.000	.000	.897	.000	.000	.806	.600	.697	.000	.925	.500	.558	.937	.000	.000	.000	.000	.000	.916

