



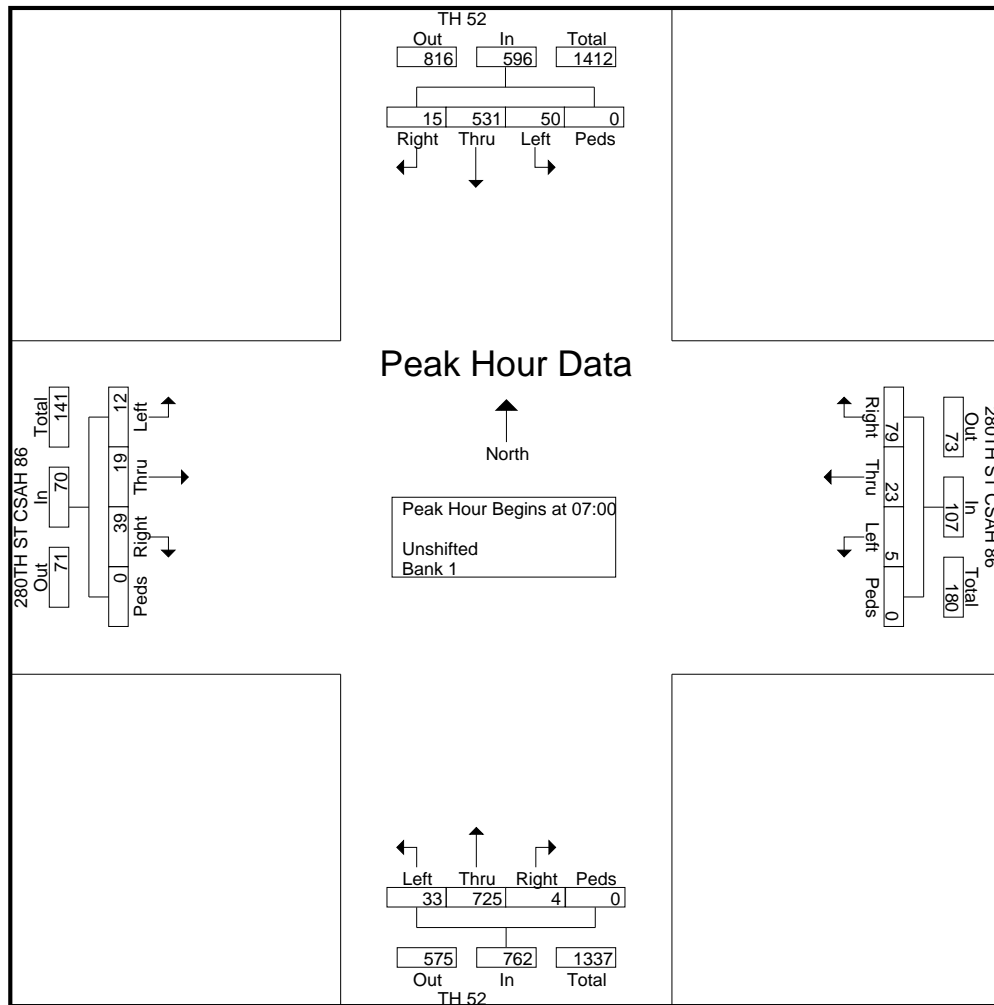
MINNESOTA DEPT OF TRANSPORTATION

TRAFFIC DATA COLLECTION - METRO

TH-52 at 280th ST / CSAH-86
 Ref.Pt; 100.790
 Jamar # T-2638 CAH
 TURN MOVEMENT COUNT

File Name : TH 52 at 280th ST CSAH 86
 Site Code : 100.790
 Start Date : 5/18/2011
 Page No : 2

Start Time	TH 52 Southbound					280TH ST CSAH 86 Westbound					TH 52 Northbound					280TH ST CSAH 86 Eastbound					Int. Total
	Left	Thru	Right	Peds	App. Total	Left	Thru	Right	Peds	App. Total	Left	Thru	Right	Peds	App. Total	Left	Thru	Right	Peds	App. Total	
Peak Hour Analysis From 06:00 to 08:45 - Peak 1 of 1																					
Peak Hour for Entire Intersection Begins at 07:00																					
07:00	13	124	1	0	138	0	10	26	0	36	9	184	1	0	194	5	3	7	0	15	383
07:15	5	144	3	0	152	1	3	17	0	21	2	209	1	0	212	1	5	7	0	13	398
07:30	13	133	3	0	149	3	4	20	0	27	11	194	2	0	207	4	2	11	0	17	400
07:45	19	130	8	0	157	1	6	16	0	23	11	138	0	0	149	2	9	14	0	25	354
Total Volume	50	531	15	0	596	5	23	79	0	107	33	725	4	0	762	12	19	39	0	70	1535
% App. Total	8.4	89.1	2.5	0		4.7	21.5	73.8	0		4.3	95.1	0.5	0		17.1	27.1	55.7	0		
PHF	.658	.922	.469	.000	.949	.417	.575	.760	.000	.743	.750	.867	.500	.899		.600	.528	.696	.000	.700	.959





MINNESOTA DEPT OF TRANSPORTATION

TRAFFIC DATA COLLECTION - METRO

TH-52 at 280th ST / CSAH-86
 Ref.Pt; 100.790
 Jamar # T-2638 CAH
 TURN MOVEMENT COUNT

File Name : TH 52 at 280th ST CSAH 86
 Site Code : 100.790
 Start Date : 5/18/2011
 Page No : 3

Start Time	TH 52 Southbound					280TH ST CSAH 86 Westbound					TH 52 Northbound					280TH ST CSAH 86 Eastbound					Int. Total
	Left	Thru	Right	Peds	App. Total	Left	Thru	Right	Peds	App. Total	Left	Thru	Right	Peds	App. Total	Left	Thru	Right	Peds	App. Total	
16:45	18	195	5	0	218	1	4	11	0	16	8	201	2	0	211	3	5	5	0	13	458
17:00	20	179	10	0	209	1	6	18	0	25	10	214	3	0	227	3	8	14	0	25	486
17:15	20	203	11	0	234	0	5	17	0	22	9	184	0	0	193	2	5	7	0	14	463
17:30	24	194	5	0	223	2	2	9	0	13	13	188	1	0	202	0	7	7	0	14	452
Total Volume	82	771	31	0	884	4	17	55	0	76	40	787	6	0	833	8	25	33	0	66	1859
% App. Total	9.3	87.2	3.5	0		5.3	22.4	72.4	0		4.8	94.5	0.7	0		12.1	37.9	50	0		
PHF	.854	.950	.705	.000	.944	.500	.708	.764	.000	.760	.769	.919	.500	.000	.917	.667	.781	.589	.000	.660	.956

Peak Hour Analysis From 15:00 to 17:45 - Peak 1 of 1
 Peak Hour for Entire Intersection Begins at 16:45

