



# MINNESOTA DEPT OF TRANSPORTATION

## TRAFFIC DATA COLLECTION - METRO

Location: TH-52 AT CSAH-42 WEST RAMPS  
 Ref.Pt.: 115+00.573  
 JAMAR# 632 DR  
 TURN MOVEMENT COUNT

File Name : th 52 at csah 42 west ramps 2007  
 Site Code : 00000000  
 Start Date : 11/8/2007  
 Page No : 1

Groups Printed- Unshifted

Start Time	RAMP FROM TH-52 SB Southbound				CSAH-42 Westbound				RAMP TO TH-52 SB Northbound				CSAH-42 Eastbound				Int. Total
	Left	Thru	Right	Peds	Left	Thru	Right	Peds	Left	Thru	Right	Peds	Left	Thru	Right	Peds	
06:00	9	1	42	0	1	26	0	0	0	0	0	0	0	51	12	0	142
06:15	13	1	41	0	2	51	0	0	0	0	0	0	0	86	12	0	206
06:30	7	0	76	0	0	68	0	0	0	0	0	0	0	108	9	0	268
06:45	10	0	97	0	2	78	0	0	0	0	0	0	0	123	10	0	320
Total	39	2	256	0	5	223	0	0	0	0	0	0	0	368	43	0	936
07:00	7	0	64	0	3	55	0	0	0	0	0	0	0	136	11	0	276
07:15	4	0	41	0	1	64	0	0	0	0	0	0	0	187	13	0	310
07:30	2	0	73	0	0	71	0	0	0	0	0	0	0	167	21	0	334
07:45	4	1	83	0	1	75	0	0	0	0	0	0	0	149	21	0	334
Total	17	1	261	0	5	265	0	0	0	0	0	0	0	639	66	0	1254
08:00	7	0	55	0	1	72	0	0	0	0	0	0	0	110	18	0	263
08:15	8	0	49	0	1	40	0	0	0	0	0	0	0	107	15	0	220
08:30	7	0	36	0	4	52	0	0	0	0	0	0	0	85	17	0	201
08:45	7	0	36	0	5	53	0	0	0	0	0	0	0	77	9	0	187
Total	29	0	176	0	11	217	0	0	0	0	0	0	0	379	59	0	871
*** BREAK ***																	
15:00	8	1	53	0	2	43	0	0	0	0	0	0	0	82	20	0	209
15:15	7	0	47	0	3	46	0	0	0	0	0	0	0	72	20	0	195
15:30	6	0	74	0	6	49	0	0	0	0	0	0	0	109	24	0	268
15:45	5	0	91	0	2	57	0	0	0	0	0	0	0	108	20	0	283
Total	26	1	265	0	13	195	0	0	0	0	0	0	0	371	84	0	955
16:00	8	0	68	0	2	71	0	0	0	0	0	0	0	80	19	0	248
16:15	5	1	84	0	3	59	0	0	0	0	0	0	0	89	20	0	261
16:30	8	0	122	0	8	59	0	0	0	0	0	0	0	123	22	0	342
16:45	6	1	130	0	2	83	0	0	0	0	0	0	0	79	30	2	333
Total	27	2	404	0	15	272	0	0	0	0	0	0	0	371	91	2	1184
17:00	7	0	114	0	6	61	0	0	0	0	0	0	0	81	17	0	286
17:15	5	0	147	0	3	67	0	0	0	0	0	0	0	69	24	0	315
17:30	10	0	154	0	3	52	0	0	0	0	0	0	0	76	26	0	321
17:45	3	0	70	0	3	42	0	0	0	0	0	0	0	70	17	0	205
Total	25	0	485	0	15	222	0	0	0	0	0	0	0	296	84	0	1127
Grand Total	163	6	1847	0	64	1394	0	0	0	0	0	0	0	2424	427	2	6327
Apprch %	8.1	0.3	91.6	0	4.4	95.6	0	0	0	0	0	0	0	85	15	0.1	
Total %	2.6	0.1	29.2	0	1	22	0	0	0	0	0	0	0	38.3	6.7	0	



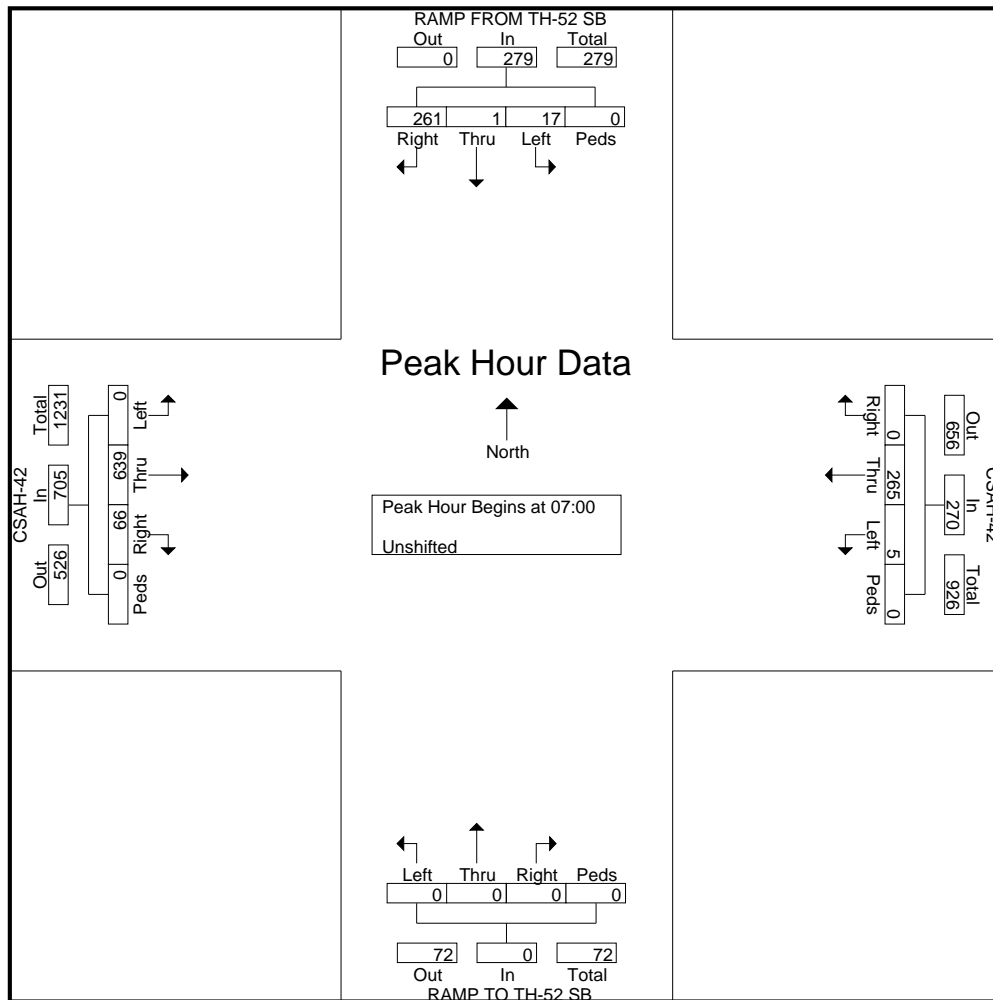
# MINNESOTA DEPT OF TRANSPORTATION

## TRAFFIC DATA COLLECTION - METRO

Location: TH-52 AT CSAH-42 WEST RAMPS  
 Ref.Pt.: 115+00.573  
 JAMAR# 632 DR  
 TURN MOVEMENT COUNT

File Name : th 52 at csah 42 west ramps 2007  
 Site Code : 00000000  
 Start Date : 11/8/2007  
 Page No : 2

Start Time	RAMP FROM TH-52 SB Southbound					CSAH-42 Westbound					RAMP TO TH-52 SB Northbound					CSAH-42 Eastbound					Int. Total
	Left	Thru	Right	Peds	App. Total	Left	Thru	Right	Peds	App. Total	Left	Thru	Right	Peds	App. Total	Left	Thru	Right	Peds	App. Total	
<b>Peak Hour Analysis From 06:00 to 08:45 - Peak 1 of 1</b>																					
Peak Hour for Entire Intersection Begins at 07:00																					
07:00	7	0	64	0	71	3	55	0	0	58	0	0	0	0	0	0	136	11	0	147	276
07:15	4	0	41	0	45	1	64	0	0	65	0	0	0	0	0	0	187	13	0	200	310
07:30	2	0	73	0	75	0	71	0	0	71	0	0	0	0	0	0	167	21	0	188	334
07:45	4	1	83	0	88	1	75	0	0	76	0	0	0	0	0	0	149	21	0	170	334
Total Volume	17	1	261	0	279	5	265	0	0	270	0	0	0	0	0	0	639	66	0	705	1254
% App. Total																					
PHF	.607	.250	.786	.000	.793	.417	.883	.000	.000	.888	.000	.000	.000	.000	.000	.000	.854	.786	.000	.881	.939





# MINNESOTA DEPT OF TRANSPORTATION

## TRAFFIC DATA COLLECTION - METRO

Location: TH-52 AT CSAH-42 WEST RAMPS  
 Ref.Pt.: 115+00.573  
 JAMAR# 632 DR  
 TURN MOVEMENT COUNT

File Name : th 52 at csah 42 west ramps 2007  
 Site Code : 00000000  
 Start Date : 11/8/2007  
 Page No : 3

Start Time	RAMP FROM TH-52 SB Southbound					CSAH-42 Westbound					RAMP TO TH-52 SB Northbound					CSAH-42 Eastbound					Int. Total
	Left	Thru	Right	Peds	App. Total	Left	Thru	Right	Peds	App. Total	Left	Thru	Right	Peds	App. Total	Left	Thru	Right	Peds	App. Total	
<b>Peak Hour Analysis From 15:00 to 17:45 - Peak 1 of 1</b>																					
Peak Hour for Entire Intersection Begins at 16:30																					
16:30	8	0	122	0	130	8	59	0	0	67	0	0	0	0	0	0	123	22	0	145	342
16:45	6	1	130	0	137	2	83	0	0	85	0	0	0	0	0	0	79	30	2	111	333
17:00	7	0	114	0	121	6	61	0	0	67	0	0	0	0	0	0	81	17	0	98	286
17:15	5	0	147	0	152	3	67	0	0	70	0	0	0	0	0	0	69	24	0	93	315
Total Volume	26	1	513	0	540	19	270	0	0	289	0	0	0	0	0	0	352	93	2	447	1276
% App. Total																					
PHF	.813	.250	.872	.000	.888	.594	.813	.000	.000	.850	.000	.000	.000	.000	.000	.000	.715	.775	.250	.771	.933

