



MINNESOTA DEPT OF TRANSPORTATION

TRAFFIC DATA COLLECTION - METRO

W 3rd St. at Eddy St. , HASTINGS
 Ref.Pt.:
 JAMAR # 633 CH
 TURN MOVEMENT COUNT

File Name : W 3rd St at Eddy St Hastings 2008
 Site Code : 00000000
 Start Date : 4/29/2008
 Page No : 1

Groups Printed- Cars & Trucks

Start Time	EDDY ST Southbound				W 3RD ST Westbound				EDDY ST Northbound				W 3RD ST Eastbound				Int. Total
	Left	Thru	Right	Peds	Left	Thru	Right	Peds	Left	Thru	Right	Peds	Left	Thru	Right	Peds	
06:00	0	0	0	1	0	0	2	0	0	1	0	0	0	0	0	0	4
06:15	0	4	0	0	0	0	0	0	1	3	0	0	0	2	0	0	10
06:30	0	2	0	0	0	0	1	0	0	2	0	0	0	1	0	0	6
06:45	0	0	1	0	0	1	0	0	0	2	3	0	0	0	1	0	8
Total	0	6	1	1	0	1	3	0	1	8	3	0	0	3	1	0	28
07:00	1	1	0	0	0	2	3	0	0	6	1	0	0	0	0	0	14
07:15	0	3	1	0	1	3	1	0	1	4	1	0	0	0	0	0	15
07:30	0	4	0	0	0	3	1	0	1	5	1	0	0	2	0	0	17
07:45	0	1	0	0	0	2	0	0	0	7	2	0	0	1	0	0	13
Total	1	9	1	0	1	10	5	0	2	22	5	0	0	3	0	0	59
08:00	0	0	0	0	0	1	0	0	0	3	2	0	0	1	0	0	7
08:15	0	2	0	0	1	0	1	0	0	7	0	0	0	2	1	0	14
08:30	0	1	1	0	0	2	0	0	0	4	0	0	1	0	0	0	9
08:45	0	4	0	0	1	1	3	0	0	5	4	0	0	0	1	0	19
Total	0	7	1	0	2	4	4	0	0	19	6	0	1	3	2	0	49
*** BREAK ***																	
15:00	2	6	1	0	0	3	1	0	0	5	0	0	0	0	0	0	18
15:15	2	8	0	0	1	3	0	0	0	11	1	0	0	0	0	0	26
15:30	2	13	0	0	2	3	2	0	1	7	1	0	0	0	1	0	32
15:45	1	4	0	0	1	1	1	0	1	2	0	0	0	0	0	0	11
Total	7	31	1	0	4	10	4	0	2	25	2	0	0	0	1	0	87
16:00	2	8	0	0	2	2	2	0	0	6	1	0	0	3	1	0	27
16:15	1	4	0	0	1	2	3	0	0	2	1	0	1	1	1	0	17
16:30	1	5	0	0	0	4	0	0	1	6	1	0	0	1	1	0	20
16:45	0	10	0	0	1	3	7	0	1	5	2	0	0	2	1	0	32
Total	4	27	0	0	4	11	12	0	2	19	5	0	1	7	4	0	96
17:00	1	9	0	0	0	4	0	0	1	7	0	0	0	0	0	0	22
17:15	2	5	2	0	3	4	0	0	0	6	1	0	0	2	1	0	26
17:30	0	7	0	0	0	5	0	0	0	5	0	0	0	0	1	0	18
17:45	1	1	0	0	0	4	1	0	0	7	2	0	0	0	2	0	18
Total	4	22	2	0	3	17	1	0	1	25	3	0	0	2	4	0	84
Grand Total	16	102	6	1	14	53	29	0	8	118	24	0	2	18	12	0	403
Apprch %	12.8	81.6	4.8	0.8	14.6	55.2	30.2	0	5.3	78.7	16	0	6.2	56.2	37.5	0	
Total %	4	25.3	1.5	0.2	3.5	13.2	7.2	0	2	29.3	6	0	0.5	4.5	3	0	



MINNESOTA DEPT OF TRANSPORTATION

TRAFFIC DATA COLLECTION - METRO

W 3rd St. at Eddy St. , HASTINGS

Ref.Pt.:

JAMAR # 633 CH

TURN MOVEMENT COUNT

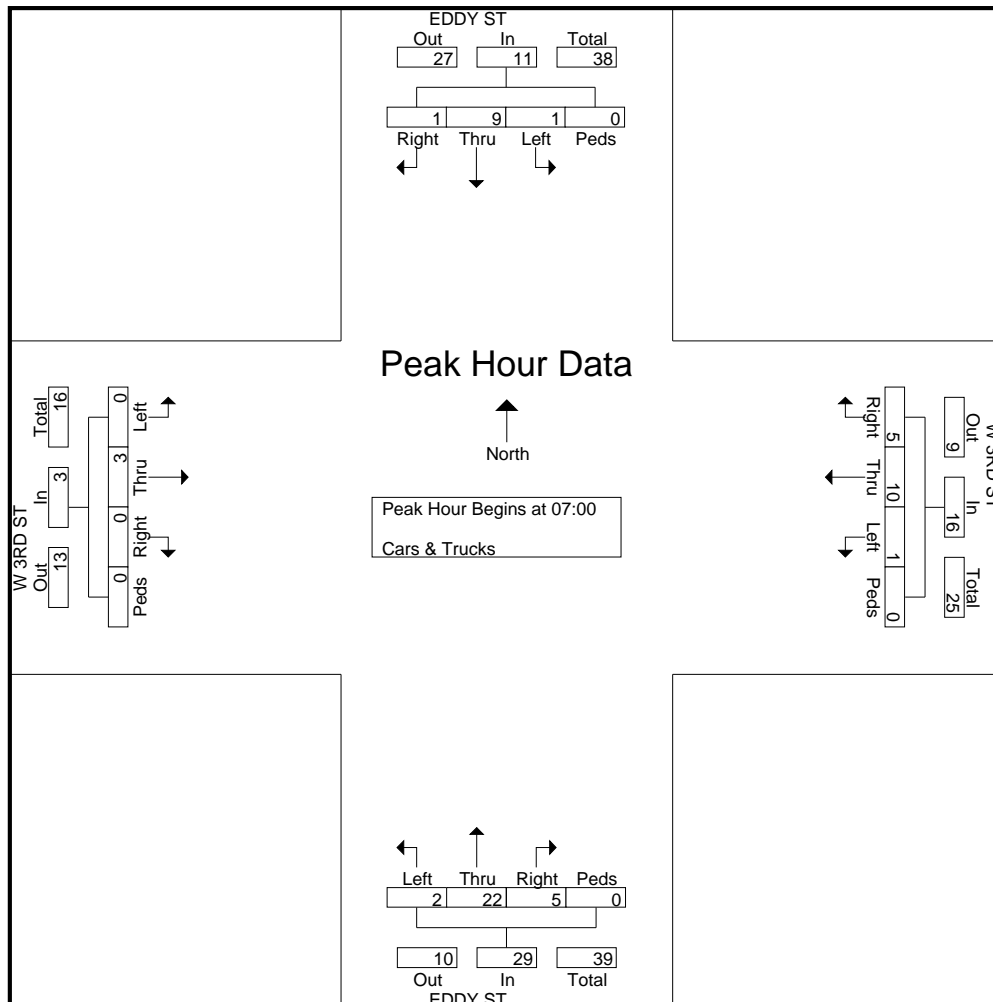
File Name : W 3rd St at Eddy St Hastings 2008

Site Code : 00000000

Start Date : 4/29/2008

Page No : 2

Start Time	EDDY ST Southbound					W 3RD ST Westbound					EDDY ST Northbound					W 3RD ST Eastbound					Int. Total
	Left	Thru	Right	Peds	App. Total	Left	Thru	Right	Peds	App. Total	Left	Thru	Right	Peds	App. Total	Left	Thru	Right	Peds	App. Total	
Peak Hour Analysis From 06:00 to 08:45 - Peak 1 of 1																					
Peak Hour for Entire Intersection Begins at 07:00																					
07:00	1	1	0	0	2	0	2	3	0	5	0	6	1	0	7	0	0	0	0	0	14
07:15	0	3	1	0	4	1	3	1	0	5	1	4	1	0	6	0	0	0	0	0	15
07:30	0	4	0	0	4	0	3	1	0	4	1	5	1	0	7	0	2	0	0	2	17
07:45	0	1	0	0	1	0	2	0	0	2	0	7	2	0	9	0	1	0	0	1	13
Total Volume	1	9	1	0	11	1	10	5	0	16	2	22	5	0	29	0	3	0	0	3	59
% App. Total																					
PHF	.250	.563	.250	.000	.688	.250	.833	.417	.000	.800	.500	.786	.625	.000	.806	.000	.375	.000	.000	.375	.868





MINNESOTA DEPT OF TRANSPORTATION

TRAFFIC DATA COLLECTION - METRO

W 3rd St. at Eddy St. , HASTINGS
 Ref.Pt.:
 JAMAR # 633 CH
 TURN MOVEMENT COUNT

File Name : W 3rd St at Eddy St Hastings 2008
 Site Code : 00000000
 Start Date : 4/29/2008
 Page No : 3

Start Time	EDDY ST Southbound					W 3RD ST Westbound					EDDY ST Northbound					W 3RD ST Eastbound					Int. Total
	Left	Thru	Right	Peds	App. Total	Left	Thru	Right	Peds	App. Total	Left	Thru	Right	Peds	App. Total	Left	Thru	Right	Peds	App. Total	
Peak Hour Analysis From 15:00 to 17:45 - Peak 1 of 1																					
Peak Hour for Entire Intersection Begins at 16:30																					
16:30	1	5	0	0	6	0	4	0	0	4	1	6	1	0	8	0	1	1	0	2	20
16:45	0	10	0	0	10	1	3	7	0	11	1	5	2	0	8	0	2	1	0	3	32
17:00	1	9	0	0	10	0	4	0	0	4	1	7	0	0	8	0	0	0	0	0	22
17:15	2	5	2	0	9	3	4	0	0	7	0	6	1	0	7	0	2	1	0	3	26
Total Volume	4	29	2	0	35	4	15	7	0	26	3	24	4	0	31	0	5	3	0	8	100
% App. Total																					
PHF	.500	.725	.250	.000	.875	.333	.938	.250	.000	.591	.750	.857	.500	.000	.969	.000	.625	.750	.000	.667	.781

