



# MINNESOTA DEPT OF TRANSPORTATION

## TRAFFIC DATA COLLECTION - METRO

Louisiana Ave at Lake St., St Louis Pk  
 ref.pt.  
 collected by: ALLIANT CONSULT.  
 TURN MOVEMENT COUNT

File Name : Louisiana Ave at Lake St 2007  
 Site Code : 00000165  
 Start Date : 12/13/2007  
 Page No : 1

### Groups Printed- Cars & Trucks

Start Time	Louisiana Ave Southbound				Lake St Westbound				Louisiana Ave Northbound				Lake St Eastbound				Int. Total
	Left	Thru	Right	Peds	Left	Thru	Right	Peds	Left	Thru	Right	Peds	Left	Thru	Right	Peds	
06:00	34	54	0	0	1	2	1	0	1	25	11	0	3	0	1	0	133
06:15	58	62	4	0	1	1	1	0	1	37	13	0	4	1	3	0	186
06:30	88	117	6	0	0	1	0	0	0	18	20	0	7	2	1	0	260
06:45	63	137	2	0	4	1	0	0	0	25	13	0	9	4	4	0	262
Total	243	370	12	0	6	5	2	0	2	105	57	0	23	7	9	0	841
07:00	28	116	7	0	1	2	1	0	2	36	8	0	5	1	3	0	210
07:15	40	105	13	0	1	4	3	0	5	49	10	0	7	10	4	0	251
07:30	6	108	30	0	2	9	7	0	13	51	4	0	27	8	3	0	268
07:45	5	123	51	0	0	9	5	0	13	88	3	0	8	4	7	0	316
Total	79	452	101	0	4	24	16	0	33	224	25	0	47	23	17	0	1045
08:00	7	132	41	0	1	8	4	0	6	49	3	0	8	8	2	0	269
08:15	4	134	39	0	1	5	6	0	10	64	4	0	6	6	6	0	285
08:30	3	107	11	0	3	4	5	0	11	52	3	0	6	6	7	0	218
08:45	6	153	4	0	1	4	3	0	5	64	5	0	10	8	3	0	266
Total	20	526	95	0	6	21	18	0	32	229	15	0	30	28	18	0	1038
09:00	3	130	6	0	5	4	2	0	1	64	0	0	7	3	7	0	232
09:15	7	111	3	0	0	3	3	0	1	51	0	0	5	4	4	0	192
*** BREAK ***																	
Total	10	241	9	0	5	7	5	0	2	115	0	0	12	7	11	0	424
*** BREAK ***																	
10:30	9	108	5	1	3	2	4	0	2	86	0	0	6	2	3	0	231
10:45	7	134	2	0	0	0	4	0	1	65	2	0	6	4	5	0	230
Total	16	242	7	1	3	2	8	0	3	151	2	0	12	6	8	0	461
11:00	10	130	6	0	0	4	5	0	4	96	1	0	4	5	5	0	270
11:15	7	105	9	0	2	4	9	0	4	89	5	0	11	6	5	0	256
11:30	4	114	5	0	0	5	9	0	8	118	4	0	7	0	5	0	279
11:45	9	112	2	0	0	5	7	0	6	111	0	0	9	6	3	0	270
Total	30	461	22	0	2	18	30	0	22	414	10	0	31	17	18	0	1075
12:00	9	101	8	0	3	4	6	0	6	127	2	0	10	4	5	0	285
12:15	3	127	9	0	1	5	15	0	6	122	3	0	3	2	4	0	300
12:30	11	116	9	0	4	5	13	0	10	121	1	0	6	6	12	0	314
12:45	11	111	8	0	1	4	8	0	5	126	4	0	4	5	13	0	300
Total	34	455	34	0	9	18	42	0	27	496	10	0	23	17	34	0	1199
13:00	12	115	3	0	2	5	6	0	5	110	2	0	7	3	4	0	274
13:15	8	118	8	0	4	3	7	0	6	93	2	0	5	2	3	0	259
*** BREAK ***																	
Total	20	233	11	0	6	8	13	0	11	203	4	0	12	5	7	0	533
*** BREAK ***																	
14:30	8	146	2	2	4	7	13	0	9	157	3	0	8	3	3	0	365
14:45	3	140	10	0	3	0	6	0	6	142	5	0	10	5	2	0	332
Total	11	286	12	2	7	7	19	0	15	299	8	0	18	8	5	0	697
15:00	7	105	11	0	6	5	12	0	4	161	0	0	7	3	3	0	324
15:15	4	123	6	0	7	3	29	0	3	156	3	0	6	7	2	0	349
15:30	3	97	9	0	10	6	26	1	6	196	3	0	7	5	9	0	378
15:45	6	100	7	0	11	7	38	0	8	171	4	0	9	5	5	0	371
Total	20	425	33	0	34	21	105	1	21	684	10	0	29	20	19	0	1422



# MINNESOTA DEPT OF TRANSPORTATION

## TRAFFIC DATA COLLECTION - METRO

Louisiana Ave at Lake St., St Louis Pk  
 ref.pt.  
 collected by: ALLIANT CONSULT.  
 TURN MOVEMENT COUNT

File Name : Louisiana Ave at Lake St 2007  
 Site Code : 00000165  
 Start Date : 12/13/2007  
 Page No : 2

Groups Printed- Cars & Trucks

Start Time	Louisiana Ave Southbound				Lake St Westbound				Louisiana Ave Northbound				Lake St Eastbound				Int. Total
	Left	Thru	Right	Peds	Left	Thru	Right	Peds	Left	Thru	Right	Peds	Left	Thru	Right	Peds	
16:00	5	95	10	0	8	6	31	0	9	171	2	0	4	4	0	0	345
16:15	8	96	5	0	10	7	37	0	7	163	1	0	15	7	6	0	362
16:30	8	97	5	0	3	7	16	0	8	175	12	0	8	13	9	0	361
16:45	5	111	7	0	3	6	10	0	6	169	4	0	23	11	5	0	360
Total	26	399	27	0	24	26	94	0	30	678	19	0	50	35	20	0	1428
17:00	4	91	11	0	3	5	16	0	11	173	4	0	23	9	8	0	358
17:15	5	118	13	0	3	3	14	0	5	143	2	0	25	7	11	0	349
17:30	3	103	14	0	7	5	11	0	4	134	2	0	19	7	6	0	315
17:45	8	95	6	0	5	6	13	0	2	123	1	0	9	5	5	0	278
Total	20	407	44	0	18	19	54	0	22	573	9	0	76	28	30	0	1300
Grand Total	529	4497	407	3	124	176	406	1	220	4171	169	0	363	201	196	0	11463
Apprch %	9.7	82.7	7.5	0.1	17.5	24.9	57.4	0.1	4.8	91.5	3.7	0	47.8	26.4	25.8	0	
Total %	4.6	39.2	3.6	0	1.1	1.5	3.5	0	1.9	36.4	1.5	0	3.2	1.8	1.7	0	



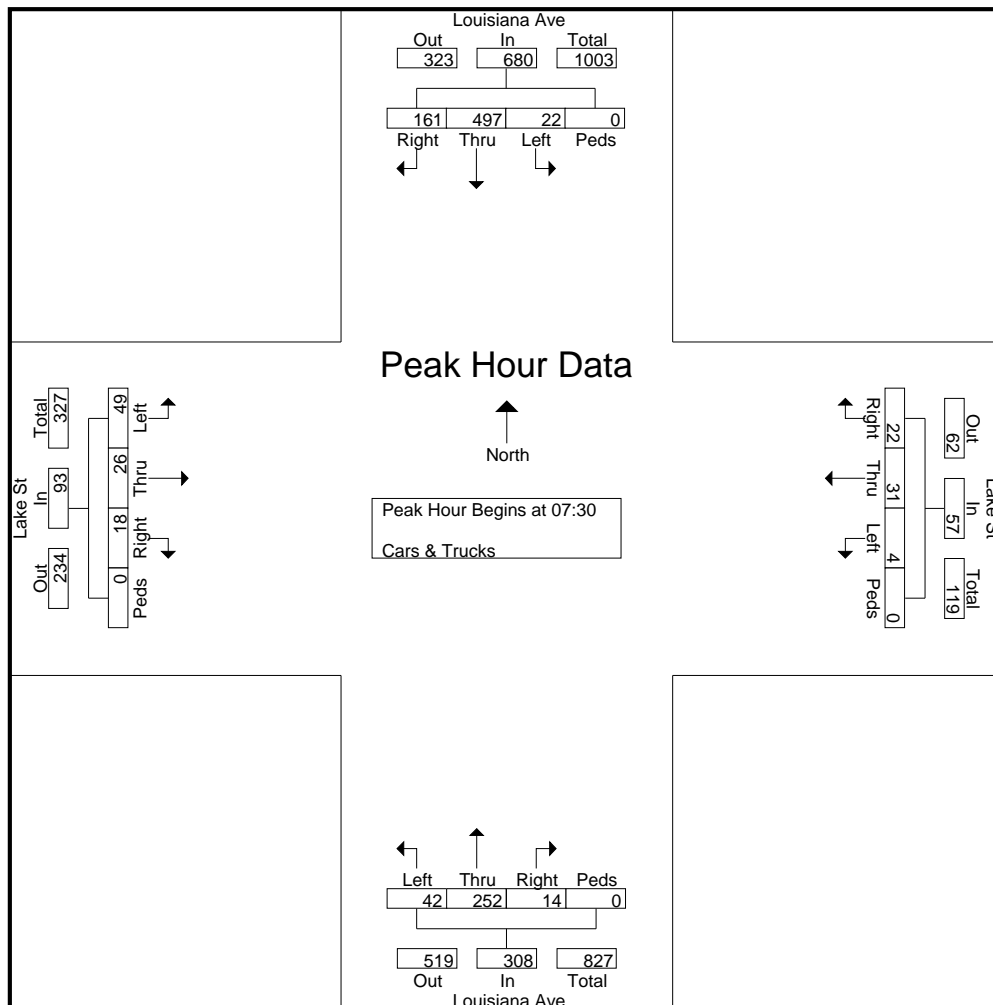
# MINNESOTA DEPT OF TRANSPORTATION

## TRAFFIC DATA COLLECTION - METRO

Louisiana Ave at Lake St., St Louis Pk  
 ref.pt.  
 collected by: ALLIANT CONSULT.  
 TURN MOVEMENT COUNT

File Name : Louisiana Ave at Lake St 2007  
 Site Code : 00000165  
 Start Date : 12/13/2007  
 Page No : 3

Start Time	Louisiana Ave Southbound					Lake St Westbound					Louisiana Ave Northbound					Lake St Eastbound					Int. Total
	Left	Thru	Right	Peds	App. Total	Left	Thru	Right	Peds	App. Total	Left	Thru	Right	Peds	App. Total	Left	Thru	Right	Peds	App. Total	
Peak Hour Analysis From 06:00 to 09:15 - Peak 1 of 1																					
Peak Hour for Entire Intersection Begins at 07:30																					
07:30	6	108	30	0	144	2	9	7	0	18	13	51	4	0	68	27	8	3	0	38	268
07:45	5	123	51	0	179	0	9	5	0	14	13	88	3	0	104	8	4	7	0	19	316
08:00	7	132	41	0	180	1	8	4	0	13	6	49	3	0	58	8	8	2	0	18	269
08:15	4	134	39	0	177	1	5	6	0	12	10	64	4	0	78	6	6	6	0	18	285
Total Volume	22	497	161	0	680	4	31	22	0	57	42	252	14	0	308	49	26	18	0	93	1138
% App. Total																					
PHF	.786	.927	.789	.000	.944	.500	.861	.786	.000	.792	.808	.716	.875	.000	.740	.454	.813	.643	.000	.612	.900





# MINNESOTA DEPT OF TRANSPORTATION

## TRAFFIC DATA COLLECTION - METRO

Louisiana Ave at Lake St., St Louis Pk  
 ref.pt.  
 collected by: ALLIANT CONSULT.  
 TURN MOVEMENT COUNT

File Name : Louisiana Ave at Lake St 2007  
 Site Code : 00000165  
 Start Date : 12/13/2007  
 Page No : 4

Start Time	Louisiana Ave Southbound					Lake St Westbound					Louisiana Ave Northbound					Lake St Eastbound					Int. Total
	Left	Thru	Right	Peds	App. Total	Left	Thru	Right	Peds	App. Total	Left	Thru	Right	Peds	App. Total	Left	Thru	Right	Peds	App. Total	
Peak Hour Analysis From 14:30 to 17:45 - Peak 1 of 1																					
Peak Hour for Entire Intersection Begins at 15:30																					
15:30	3	97	9	0	109	10	6	26	1	43	6	196	3	0	205	7	5	9	0	21	378
15:45	6	100	7	0	113	11	7	38	0	56	8	171	4	0	183	9	5	5	0	19	371
16:00	5	95	10	0	110	8	6	31	0	45	9	171	2	0	182	4	4	0	0	8	345
16:15	8	96	5	0	109	10	7	37	0	54	7	163	1	0	171	15	7	6	0	28	362
Total Volume	22	388	31	0	441	39	26	132	1	198	30	701	10	0	741	35	21	20	0	76	1456
% App. Total																					
PHF	.688	.970	.775	.000	.976	.886	.929	.868	.250	.884	.833	.894	.625	.000	.904	.583	.750	.556	.000	.679	.963

