



MINNESOTA DEPT OF TRANSPORTATION

TRAFFIC DATA COLLECTION - METRO

CSAH-25 at Ottawa Ave / Beltline Blvd
 ref.pt.: St Louis Park , E of TH-100
 collected by: ALIANT CONSULT.
 TURN MOVEMENT COUNT

File Name : CSAH-25 at Ottawa Ave - Beltline Blvd 2007
 Site Code : 00000169
 Start Date : 12/12/2007
 Page No : 1

Groups Printed- Cars & Trucks

Start Time	Ottawa Ave S Southbound				CSAH-25 Westbound				Beltline Blvd Northbound				CSAH-25 Eastbound				Int. Total
	Left	Thru	Right	Peds	Left	Thru	Right	Peds	Left	Thru	Right	Peds	Left	Thru	Right	Peds	
06:00	1	6	4	0	3	21	0	0	8	1	4	1	1	27	27	0	104
06:15	0	9	8	0	4	43	0	0	16	2	6	0	4	64	34	0	190
06:30	2	13	12	0	11	65	1	0	21	0	2	0	6	87	59	0	279
06:45	1	13	8	0	25	86	0	0	41	5	8	0	7	95	67	0	356
Total	4	41	32	0	43	215	1	0	86	8	20	1	18	273	187	0	929
07:00	2	15	8	0	19	94	1	0	46	5	11	0	6	102	54	0	363
07:15	2	18	10	0	18	117	1	0	42	27	24	0	16	147	58	0	480
07:30	1	24	12	0	21	192	4	0	53	51	24	0	25	162	67	0	636
07:45	2	22	16	0	44	190	1	0	34	59	22	0	35	213	68	0	706
Total	7	79	46	0	102	593	7	0	175	142	81	0	82	624	247	0	2185
08:00	1	31	9	0	27	159	2	0	36	69	53	0	15	168	103	0	673
08:15	2	29	5	0	20	146	0	0	58	33	31	0	13	189	82	0	608
08:30	0	34	20	0	33	138	3	0	54	24	33	0	10	168	50	0	567
08:45	2	28	15	0	26	126	1	0	42	26	18	0	16	142	62	0	504
Total	5	122	49	0	106	569	6	0	190	152	135	0	54	667	297	0	2352
09:00	3	28	8	0	25	125	2	0	41	15	24	0	19	111	59	0	460
09:15	1	19	14	0	20	101	3	0	38	29	16	0	12	133	55	0	441
*** BREAK ***																	
Total	4	47	22	0	45	226	5	0	79	44	40	0	31	244	114	0	901
*** BREAK ***																	
10:30	1	27	7	0	24	93	1	0	25	16	30	0	7	92	34	0	357
10:45	0	12	7	0	20	102	2	0	45	14	22	0	13	102	34	0	373
Total	1	39	14	0	44	195	3	0	70	30	52	0	20	194	68	0	730
11:00	0	22	6	0	16	95	2	0	44	18	19	0	7	104	45	0	378
11:15	0	23	10	0	20	84	2	0	50	16	23	0	12	121	39	0	400
11:30	2	21	10	0	22	114	0	0	54	15	23	0	8	113	39	0	421
11:45	1	22	6	0	28	84	2	0	58	24	34	0	10	134	58	0	461
Total	3	88	32	0	86	377	6	0	206	73	99	0	37	472	181	0	1660
12:00	0	21	4	0	14	89	1	0	50	28	33	0	10	116	44	0	410
12:15	0	19	4	0	16	114	2	0	36	24	24	0	9	127	57	0	432
12:30	0	16	12	0	25	85	2	0	42	30	30	0	22	111	40	0	415
12:45	3	33	16	0	33	114	0	0	36	20	27	0	22	144	56	0	504
Total	3	89	36	0	88	402	5	0	164	102	114	0	63	498	197	0	1761
13:00	3	14	8	0	21	109	0	0	56	15	23	0	10	101	49	0	409
13:15	0	30	9	0	28	125	0	0	47	22	35	0	10	100	53	0	459
*** BREAK ***																	
Total	3	44	17	0	49	234	0	0	103	37	58	0	20	201	102	0	868
*** BREAK ***																	
14:30	2	20	13	0	21	122	0	0	75	31	28	0	13	128	65	0	518
14:45	3	37	12	0	47	119	2	0	49	29	20	0	13	120	66	0	517
Total	5	57	25	0	68	241	2	0	124	60	48	0	26	248	131	0	1035
15:00	0	27	10	0	33	123	3	0	66	35	63	0	19	120	44	0	543
15:15	0	21	10	0	34	147	2	0	69	37	50	0	14	146	47	0	577
15:30	2	35	4	0	27	127	2	0	69	63	41	0	16	157	49	0	592
15:45	0	30	9	0	29	151	2	0	63	69	35	0	14	162	67	0	631
Total	2	113	33	0	123	548	9	0	267	204	189	0	63	585	207	0	2343



MINNESOTA DEPT OF TRANSPORTATION

TRAFFIC DATA COLLECTION - METRO

CSAH-25 at Ottawa Ave / Beltline Blvd
 ref.pt.: St Louis Park , E of TH-100
 collected by: ALIANT CONSULT.
 TURN MOVEMENT COUNT

File Name : CSAH-25 at Ottawa Ave - Beltline Blvd 2007
 Site Code : 00000169
 Start Date : 12/12/2007
 Page No : 2

Groups Printed- Cars & Trucks

Start Time	Ottawa Ave S Southbound				CSAH-25 Westbound				Beltline Blvd Northbound				CSAH-25 Eastbound				Int. Total
	Left	Thru	Right	Peds	Left	Thru	Right	Peds	Left	Thru	Right	Peds	Left	Thru	Right	Peds	
16:00	1	24	4	0	41	167	0	0	76	53	51	0	18	193	62	0	690
16:15	0	24	3	0	31	154	6	0	62	36	35	0	16	220	48	0	635
16:30	1	44	10	0	39	152	1	0	97	72	54	0	29	190	51	0	740
16:45	2	45	9	0	34	179	3	0	60	58	56	0	24	201	40	0	711
Total	4	137	26	0	145	652	10	0	295	219	196	0	87	804	201	0	2776
17:00	1	42	9	1	37	171	2	0	92	101	48	0	21	213	47	0	785
17:15	3	45	5	0	49	210	6	0	71	56	42	0	23	255	40	0	805
17:30	0	37	11	0	38	151	5	0	46	63	51	0	23	220	62	0	707
17:45	1	59	8	0	55	140	4	0	48	54	46	0	29	237	58	2	741
Total	5	183	33	1	179	672	17	0	257	274	187	0	96	925	207	2	3038
Grand Total	46	1039	365	1	1078	4924	71	0	2016	1345	1219	1	597	5735	2139	2	20578
Apprch %	3.2	71.6	25.2	0.1	17.8	81.1	1.2	0	44	29.4	26.6	0	7	67.7	25.2	0	
Total %	0.2	5	1.8	0	5.2	23.9	0.3	0	9.8	6.5	5.9	0	2.9	27.9	10.4	0	



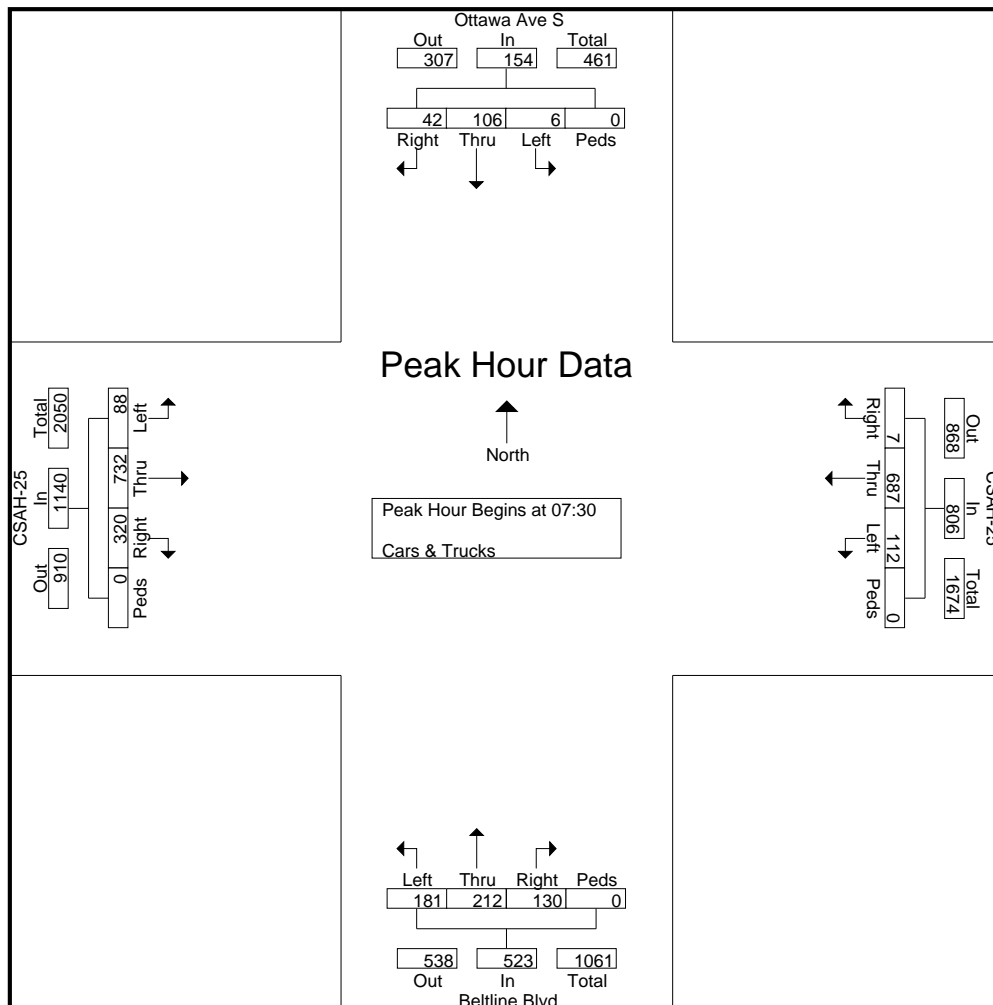
MINNESOTA DEPT OF TRANSPORTATION

TRAFFIC DATA COLLECTION - METRO

CSAH-25 at Ottawa Ave / Beltline Blvd
 ref.pt.: St Louis Park , E of TH-100
 collected by: ALIANT CONSULT.
 TURN MOVEMENT COUNT

File Name : CSAH-25 at Ottawa Ave - Beltline Blvd 2007
 Site Code : 00000169
 Start Date : 12/12/2007
 Page No : 3

Start Time	Ottawa Ave S Southbound					CSAH-25 Westbound					Beltline Blvd Northbound					CSAH-25 Eastbound					Int. Total
	Left	Thru	Right	Peds	App. Total	Left	Thru	Right	Peds	App. Total	Left	Thru	Right	Peds	App. Total	Left	Thru	Right	Peds	App. Total	
Peak Hour Analysis From 06:00 to 09:15 - Peak 1 of 1																					
Peak Hour for Entire Intersection Begins at 07:30																					
07:30	1	24	12	0	37	21	192	4	0	217	53	51	24	0	128	25	162	67	0	254	636
07:45	2	22	16	0	40	44	190	1	0	235	34	59	22	0	115	35	213	68	0	316	706
08:00	1	31	9	0	41	27	159	2	0	188	36	69	53	0	158	15	168	103	0	286	673
08:15	2	29	5	0	36	20	146	0	0	166	58	33	31	0	122	13	189	82	0	284	608
Total Volume	6	106	42	0	154	112	687	7	0	806	181	212	130	0	523	88	732	320	0	1140	2623
% App. Total																					
PHF	.750	.855	.656	.000	.939	.636	.895	.438	.000	.857	.780	.768	.613	.000	.828	.629	.859	.777	.000	.902	.929





MINNESOTA DEPT OF TRANSPORTATION

TRAFFIC DATA COLLECTION - METRO

CSAH-25 at Ottawa Ave / Beltline Blvd
 ref.pt.: St Louis Park , E of TH-100
 collected by: ALIANT CONSULT.
 TURN MOVEMENT COUNT

File Name : CSAH-25 at Ottawa Ave - Beltline Blvd 2007
 Site Code : 00000169
 Start Date : 12/12/2007
 Page No : 4

Start Time	Ottawa Ave S Southbound					CSAH-25 Westbound					Beltline Blvd Northbound					CSAH-25 Eastbound					Int. Total
	Left	Thru	Right	Peds	App. Total	Left	Thru	Right	Peds	App. Total	Left	Thru	Right	Peds	App. Total	Left	Thru	Right	Peds	App. Total	
Peak Hour Analysis From 14:30 to 17:45 - Peak 1 of 1																					
Peak Hour for Entire Intersection Begins at 16:30																					
16:30	1	44	10	0	55	39	152	1	0	192	97	72	54	0	223	29	190	51	0	270	740
16:45	2	45	9	0	56	34	179	3	0	216	60	58	56	0	174	24	201	40	0	265	711
17:00	1	42	9	1	53	37	171	2	0	210	92	101	48	0	241	21	213	47	0	281	785
17:15	3	45	5	0	53	49	210	6	0	265	71	56	42	0	169	23	255	40	0	318	805
Total Volume	7	176	33	1	217	159	712	12	0	883	320	287	200	0	807	97	859	178	0	1134	3041
% App. Total																					
PHF	.583	.978	.825	.250	.969	.811	.848	.500	.000	.833	.825	.710	.893	.000	.837	.836	.842	.873	.000	.892	.944

