



MINNESOTA DEPT OF TRANSPORTATION

TRAFFIC DATA COLLECTION - METRO

TH-96 at Norell Ave N / CSAH-55
 Ref.Pt.: 018.395
 JAMAR # T-2638 CAH
 TURN MOVEMENT COUNT

File Name : TH-96 at Norell Ave CSAH-55 2010
 Site Code : 00000000
 Start Date : 5/12/2010
 Page No : 1

Groups Printed- Cars & Trucks

Start Time	NORELL AVE N / CSAH-55 Southbound				TH-96 Westbound				NORELL AVE N Northbound				TH-96 Eastbound				Int. Total
	Left	Thru	Right	Peds	Left	Thru	Right	Peds	Left	Thru	Right	Peds	Left	Thru	Right	Peds	
06:00	1	3	4	0	1	45	0	0	4	0	0	0	0	7	3	0	68
06:15	0	14	5	0	0	40	1	0	7	4	0	0	0	13	5	0	89
06:30	1	15	12	0	0	56	4	0	10	4	0	0	2	12	4	1	121
06:45	5	24	14	0	0	53	4	0	11	9	0	1	4	12	8	0	145
Total	7	56	35	0	1	194	9	0	32	17	0	1	6	44	20	1	423
07:00	3	30	20	0	0	74	2	0	10	7	0	0	1	14	14	0	175
07:15	3	45	14	0	0	57	2	0	10	4	0	0	1	28	12	0	176
07:30	5	26	9	0	0	61	4	0	17	8	0	0	3	26	26	0	185
07:45	4	35	13	0	0	57	3	0	16	9	0	0	3	23	23	0	186
Total	15	136	56	0	0	249	11	0	53	28	0	0	8	91	75	0	722
08:00	3	16	6	0	0	45	2	0	13	6	0	0	1	28	10	0	130
08:15	4	15	6	0	0	40	5	0	9	8	0	0	1	17	22	0	127
08:30	2	18	2	0	0	40	1	0	13	5	1	0	0	24	17	0	123
08:45	4	11	4	0	0	29	1	1	16	11	0	0	4	27	29	0	137
Total	13	60	18	0	0	154	9	1	51	30	1	0	6	96	78	0	517
*** BREAK ***																	
15:00	4	14	3	0	1	18	0	0	19	19	2	0	10	35	12	0	137
15:15	3	10	3	0	0	18	1	0	10	22	0	0	5	35	20	0	127
15:30	9	18	5	0	1	28	0	0	21	19	0	0	6	38	19	1	165
15:45	0	5	3	0	1	21	0	0	16	21	0	0	4	51	22	0	144
Total	16	47	14	0	3	85	1	0	66	81	2	0	25	159	73	1	573
16:00	2	15	4	0	1	20	5	0	18	26	1	0	6	36	13	0	147
16:15	0	10	3	0	2	29	5	0	13	24	0	0	5	57	20	0	168
16:30	2	23	3	0	0	27	1	0	20	23	0	0	6	46	12	0	163
16:45	5	13	6	0	0	36	1	0	18	39	1	0	8	65	17	0	209
Total	9	61	16	0	3	112	12	0	69	112	2	0	25	204	62	0	687
17:00	4	17	2	0	0	37	2	0	22	32	0	0	9	57	17	0	199
17:15	4	6	3	0	0	35	4	0	14	28	0	0	12	55	23	0	184
17:30	10	10	1	0	0	28	6	0	12	26	2	1	12	42	11	1	162
17:45	1	13	3	0	0	22	0	1	21	30	0	0	9	41	19	0	160
Total	19	46	9	0	0	122	12	1	69	116	2	1	42	195	70	1	705
Grand Total	79	406	148	0	7	916	54	2	340	384	7	2	112	789	378	3	3627
Apprch %	12.5	64.1	23.4	0	0.7	93.6	5.5	0.2	46.4	52.4	1	0.3	8.7	61.5	29.5	0.2	
Total %	2.2	11.2	4.1	0	0.2	25.3	1.5	0.1	9.4	10.6	0.2	0.1	3.1	21.8	10.4	0.1	



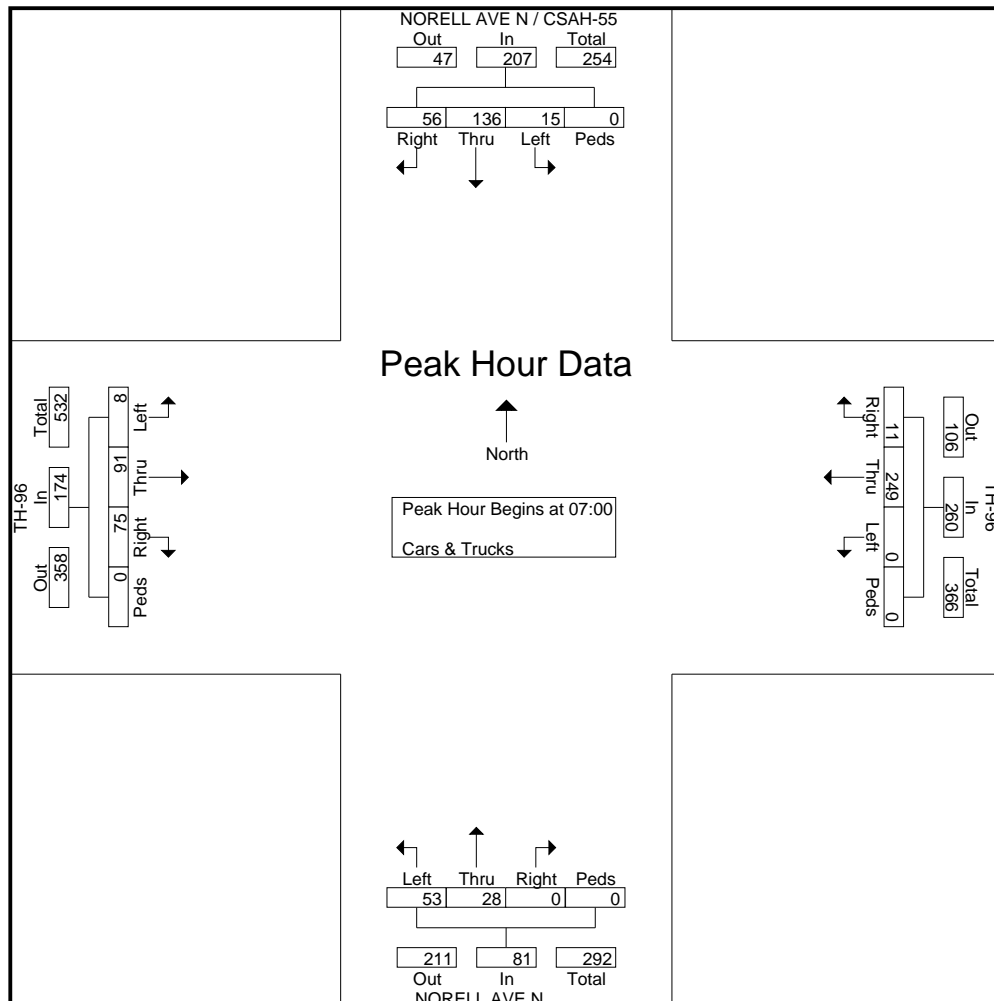
MINNESOTA DEPT OF TRANSPORTATION

TRAFFIC DATA COLLECTION - METRO

TH-96 at Norell Ave N / CSAH-55
 Ref.Pt.: 018.395
 JAMAR # T-2638 CAH
 TURN MOVEMENT COUNT

File Name : TH-96 at Norell Ave CSAH-55 2010
 Site Code : 00000000
 Start Date : 5/12/2010
 Page No : 2

Start Time	NORELL AVE N / CSAH-55 Southbound					TH-96 Westbound					NORELL AVE N Northbound					TH-96 Eastbound					Int. Total
	Left	Thru	Right	Peds	App. Total	Left	Thru	Right	Peds	App. Total	Left	Thru	Right	Peds	App. Total	Left	Thru	Right	Peds	App. Total	
Peak Hour Analysis From 06:00 to 08:45 - Peak 1 of 1																					
Peak Hour for Entire Intersection Begins at 07:00																					
07:00	3	30	20	0	53	0	74	2	0	76	10	7	0	0	17	1	14	14	0	29	175
07:15	3	45	14	0	62	0	57	2	0	59	10	4	0	0	14	1	28	12	0	41	176
07:30	5	26	9	0	40	0	61	4	0	65	17	8	0	0	25	3	26	26	0	55	185
07:45	4	35	13	0	52	0	57	3	0	60	16	9	0	0	25	3	23	23	0	49	186
Total Volume	15	136	56	0	207	0	249	11	0	260	53	28	0	0	81	8	91	75	0	174	722
% App. Total	7.2	65.7	27.1	0		0	95.8	4.2	0		65.4	34.6	0	0		4.6	52.3	43.1	0		
PHF	.750	.756	.700	.000	.835	.000	.841	.688	.000	.855	.779	.778	.000	.000	.810	.667	.813	.721	.000	.791	.970





MINNESOTA DEPT OF TRANSPORTATION

TRAFFIC DATA COLLECTION - METRO

TH-96 at Norell Ave N / CSAH-55
 Ref.Pt.: 018.395
 JAMAR # T-2638 CAH
 TURN MOVEMENT COUNT

File Name : TH-96 at Norell Ave CSAH-55 2010
 Site Code : 00000000
 Start Date : 5/12/2010
 Page No : 3

Start Time	NORELL AVE N / CSAH-55 Southbound					TH-96 Westbound					NORELL AVE N Northbound					TH-96 Eastbound					Int. Total
	Left	Thru	Right	Peds	App. Total	Left	Thru	Right	Peds	App. Total	Left	Thru	Right	Peds	App. Total	Left	Thru	Right	Peds	App. Total	

Peak Hour Analysis From 15:00 to 17:45 - Peak 1 of 1
 Peak Hour for Entire Intersection Begins at 16:30

16:30	2	23	3	0	28	0	27	1	0	28	20	23	0	0	43	6	46	12	0	64	163
16:45	5	13	6	0	24	0	36	1	0	37	18	39	1	0	58	8	65	17	0	90	209
17:00	4	17	2	0	23	0	37	2	0	39	22	32	0	0	54	9	57	17	0	83	199
17:15	4	6	3	0	13	0	35	4	0	39	14	28	0	0	42	12	55	23	0	90	184
Total Volume	15	59	14	0	88	0	135	8	0	143	74	122	1	0	197	35	223	69	0	327	755
% App. Total	17	67	15.9	0		0	94.4	5.6	0		37.6	61.9	0.5	0		10.7	68.2	21.1	0		
PHF	.750	.641	.583	.000	.786	.000	.912	.500	.000	.917	.841	.782	.250	.000	.849	.729	.858	.750	.000	.908	.903

